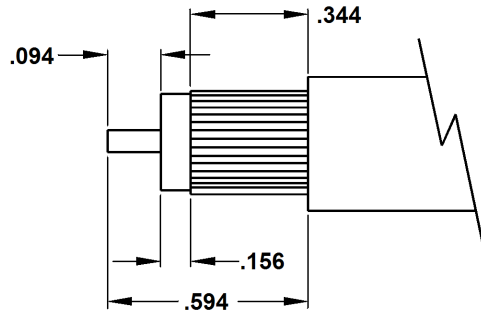


Connector P/N:
 1694ABHD3, 1505ABHD3,
 1855ABHD3, 179DTBHD3
Compression tool: BB3PHCT
Preparation tool: BB3PST

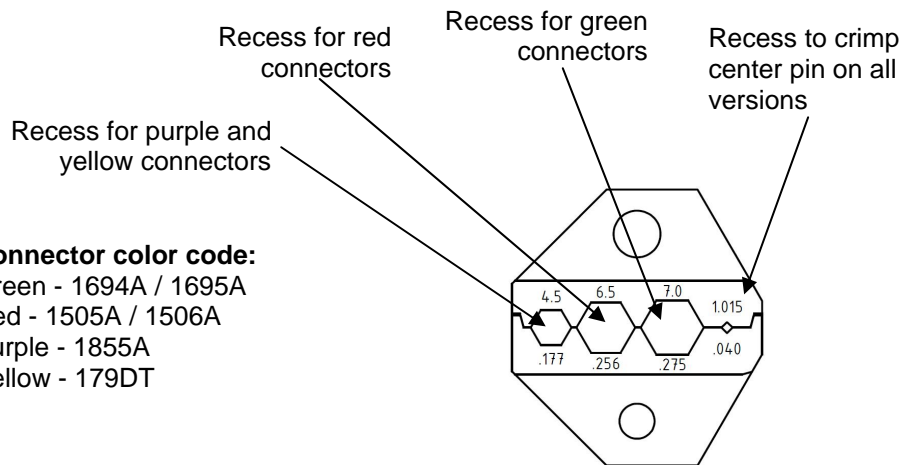
THREE PIECE CRIMP STYLE BNC INSTALLATION INSTRUCTIONS

Step 1



Prepare the cable according to step 1 to achieve the proper braid exposure and center conductor length. Slightly flair the braid away from the dielectric. Twist the foil tightly against the dielectric and verify there are no loose braids or foil touching the center conductor.

Tool setup



Connector color code:

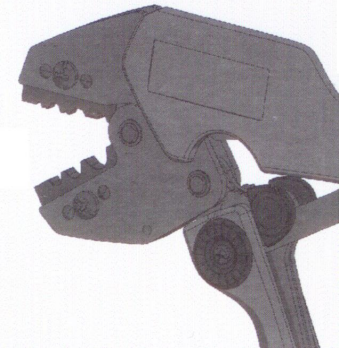
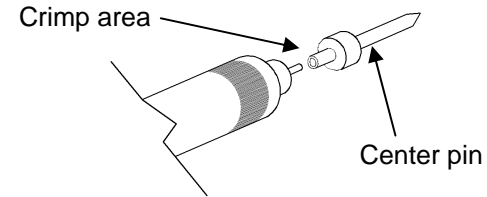
- Green - 1694A / 1695A
- Red - 1505A / 1506A
- Purple - 1855A
- Yellow - 179DT

The BB3PHCT hex crimp tool is configured with one die set for use with all Belden three piece hex connectors. Refer to the tool instructions for further details.

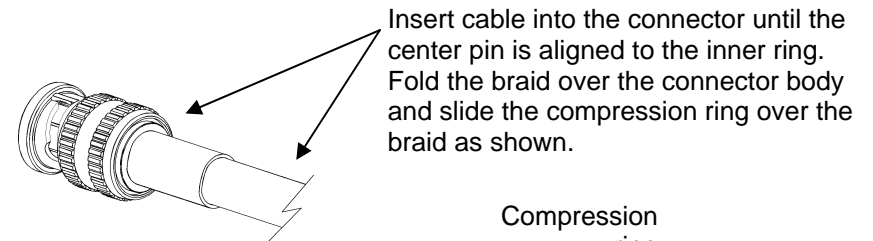
The BB3PST preparation tool includes all required components to prepare cables used with the Belden three piece hex connectors. Refer to the tool instruction sheet for further details.

Insert the center pin onto the center conductor and crimp in place with the tool

Step 2

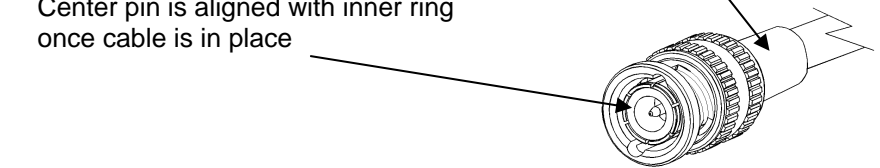


Step 3



Center pin is aligned with inner ring once cable is in place

Compression ring



Step 4

With the connector fully installed on the cable, insert the compression ring into the proper tool recess. Position the die so the hex crimp will be centered on the ring. Fully close the tool handle until the ratchet mechanism allows the tool to open. Once completed, the connector has been terminated as shown below.

